



# ECO-UNIC (0.995t x 3.5m) (2.9t x 1.4m)

- Total width 0.75m
- Max working radius 8.41m
- Multi-position configurable outriggers (Eco-095)
- Operator control of outrigger extension
- Intelligent voice warning system
- Preliminary stability warning system with motion cut
- Radio remote control as standard
- Working area limitation (Eco-295)
- Optional slew limitation (Eco-295)

Capacity 0.995t x 3.5m (095)  
Capacity 2.9t x 1.4m (295)

Max Boom Length 8.65m

Max Lifting Height 8.9m

Weight 2425kg



Optional searcher hook & fly jib



Lifting capacity	700kg (max)
Length	1500mm
Weight	40kg
Tilt angles	0°, 20°, 40°, 60°

Digital battery gauge

Introducing the latest in mini crane engineering, the UNIC battery powered Eco-095 and Eco-295 models provide fume-free lifting for sensitive environments. Ideal for food processing plants,



listed buildings, shopping centres, airports and clean environments, these unique mini cranes are powered by a rechargeable 48v battery yet retain all the lifting power of our standard models. Innovative features include low-marking wheels which enable the cranes to work on light-coloured or polished surfaces.

## ADDITIONAL FEATURES



Radio remote control



Full safe load indicator (Eco-295 only)



Full safe load indicator (Eco-295-2 only)

## CRANE SPECIFICATIONS

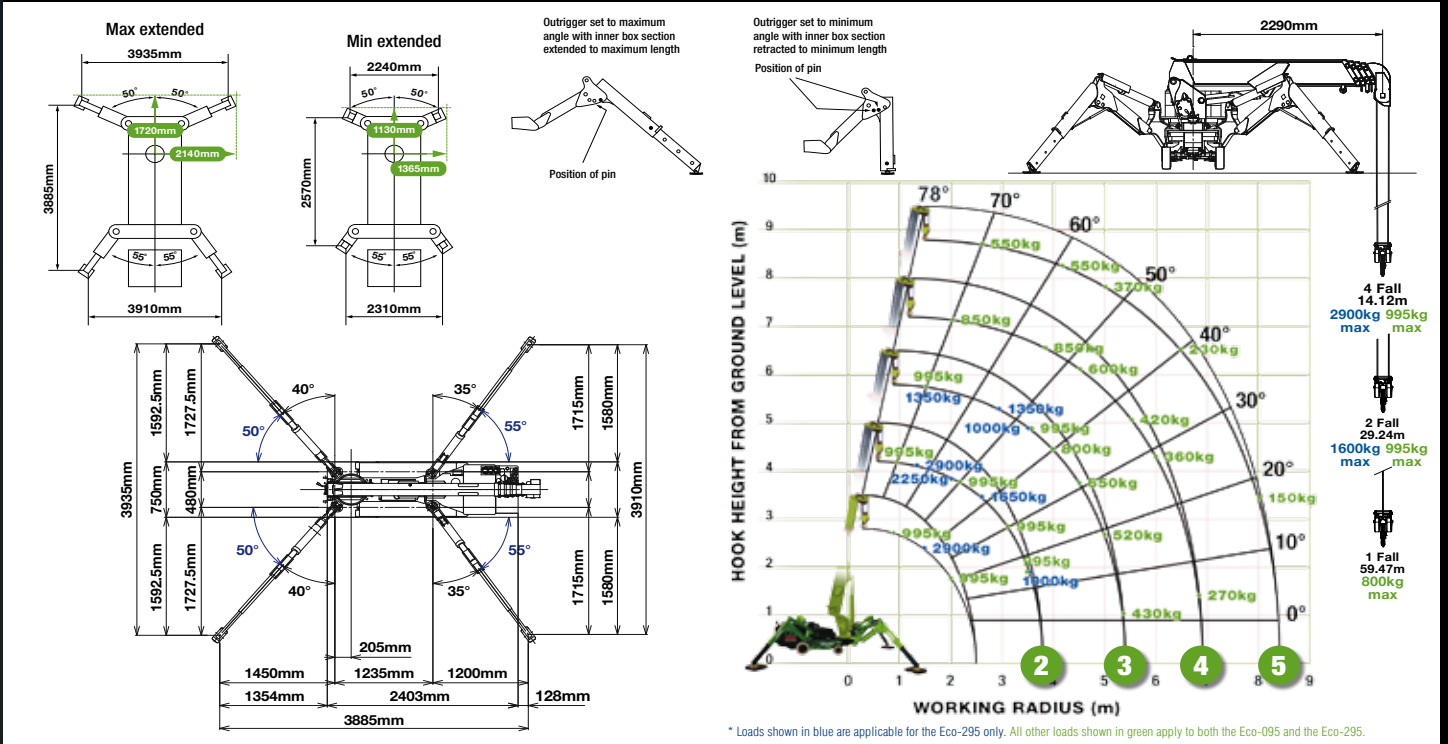
Crane capacity	Eco-095: Eco-295:	0.995t x 3.5m 2.9t x 1.4m
Max working radius	max:	8.41m
Max lifting height	max:	8.9m
Rope length	max:	14.12m (4 fall), 29.24m (2 fall), 59.47m (1 fall)
Dimensions	folded:	2730mm (l) x 750mm (w) x 1560mm (h)
Weight	unladen:	2425kg (2490kg with jib)
Point loadings	Due to the many variables involved, point loadings are only available on request	
Hook speed	approx:	4.7m/min (with 4 layers and 4 falls)
Telescopic system	boom length: telescoping speed: boom type:	2.53 - 8.65m 6.12m/40 seconds 5 section hydraulically telescoping boom, hexagonal box construction
Derricking angle/speed	approx:	0 - 78°/21 seconds
Slewing angle/speed	approx:	360° (continuous) 1.5 rpm
Travelling system	drive: travel speed: steering angle: min. turning radius: gradeability:	hydraulic motor wheeled drive 1.5-1.8km/h 50° left and 50° right outer 1990mm x inner 510mm ± 20° (vertical) 10° (traverse)
Size of tyres	front: rear:	4.00-8 (wheel RIM 3.00 D-8) 3.50-5 (wheel RIM 3.00 SP-5)
Power source	power: voltage:	3.1kW (AC motor) 48v DC rechargeable battery
Battery charger	charger:	200/240v single phase (15A)
Standard equipment Eco-095	radio remote control, overwinding alarm, computer controlled intelligent voice warning system, multi-function operation by radio remote control, intelligent throttle activation, automatic hook stow, load indication, turn-over protection system with stability warning lamps and alarm	
Standard equipment Eco-295	computer controlled moment limiter (safe load indicator), radio remote control, overwinding alarm, computer controlled intelligent voice warning system, multi-function operation by radio remote control, intelligent throttle activation, automatic hook stow, overload warning alarms, overload warning lamps, working area limitation	
Optional equipment	1 fall hook block, 2 fall hook block, 300kg capacity small searcher hook, 700kg capacity searcher hook, 700kg capacity fly jib with single part line, 600kg capacity hydraulic fly jib (Eco-295-2 only)	



# MINI SPIDER CRANE



## RATED LOADS & OUTRIGGER POSITIONS



### SECOND STAGE EXTENDED 2.53 - 4.075M BOOM LENGTH

Working radius	m	up to 1.0	1.4	1.5	1.8	2.0	2.5	3.0	3.5	3.835
Outrigger	kg	995 (2,900)	995 (2,900)	995 (2,650)	995 (2,250)	995 (2,050)	995 (1,650)	995 (1,300)	995 (1,000)	900
	kg	995 (2,000)	995 (2,000)	995 (2,000)	995 (1,450)	995 (1,100)	650	490	350	250

\* Loads shown in blue are applicable for the Eco-295 only. All other loads shown in black apply to both the Eco-095 and the Eco-295.

### THIRD STAGE EXTENDED 4.075 - 5.61M BOOM LENGTH

Working radius	m	up to 2.2	2.5	2.9	3.0	3.5	4.0	4.5	5.0	5.37
Outrigger	kg	995 (1,350)	995 (1,350)	995 (1,350)	995 (1,250)	995 (1,000)	800	650	520	430
	kg	800	650	530	500	380	280	220	160	120

### FOURTH STAGE EXTENDED 5.61 - 7.13M BOOM LENGTH

Working radius	m	up to 3.3	3.8	4.0	4.5	5.0	5.5	6.0	6.5	6.89
Outrigger	kg	850	850	750	600	500	420	360	320	270
	kg	420	340	300	250	190	140	100	80	60

### FIFTH STAGE EXTENDED 7.13 - 8.65M BOOM LENGTH

Working radius	m	up to 3.8	4.1	4.5	5.0	5.5	6.0	6.5	7.0	8.0	8.41
Outrigger	kg	550	550	450	370	310	270	230	200	150	130
	kg	350	290	250	200	160	130	100	70	40	30

### SEARCHER HOOK SMALL - 300kg

Stowed position



In operation



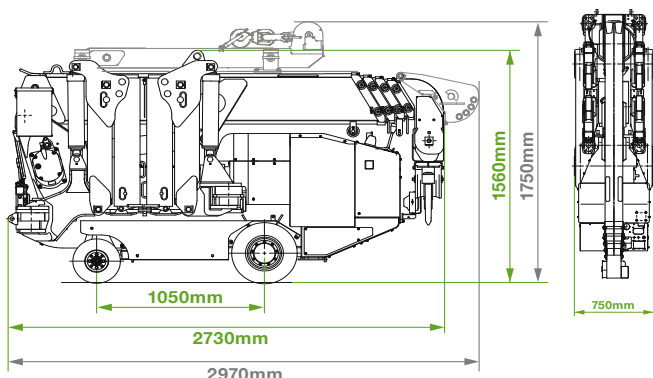
Lifting capacity 300kg (max)

Length 500mm

Weight 15kg

Tilt angles 0°, 20°, 40°, 60°

## DIMENSIONS



## OUTRIGGER POSITIONS

