



Articulated Dumper

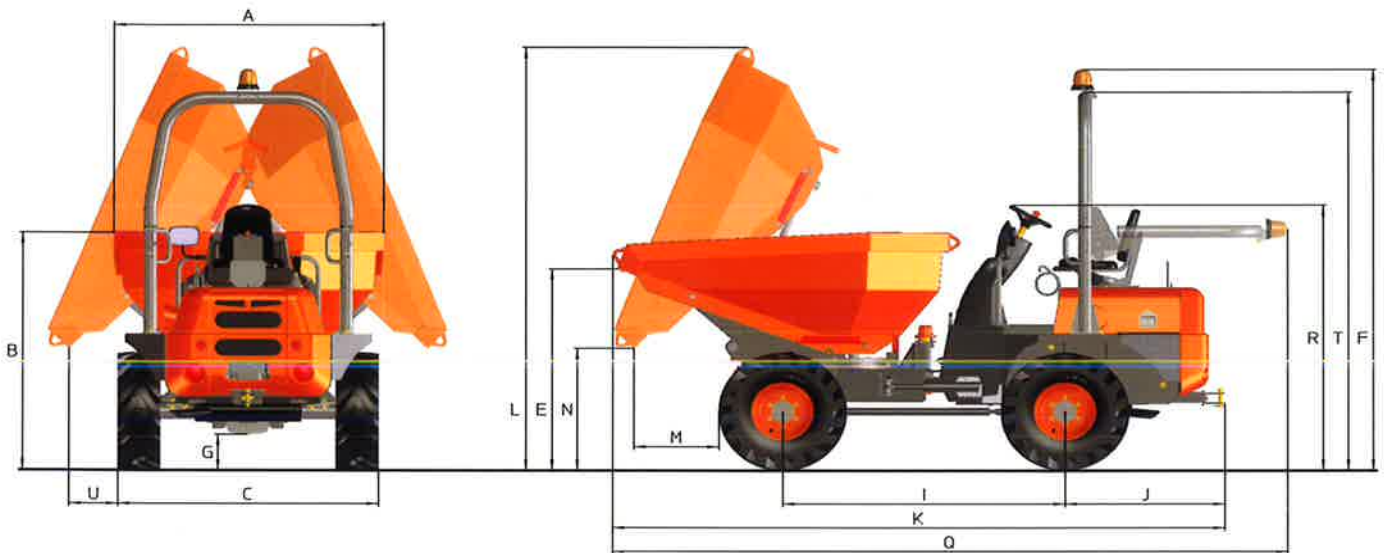
D 601 AHG



TECHNICAL DATA

| GENERAL | | D 601 AHG M6600 |
|-------------------------|--------|--|
| Unloading system | | Rotating |
| Load capacity | Kg | 6000 |
| Chassis | | Articulated and oscillating |
| Water hopper capacity | l | 1665 |
| Level hopper capacity | l | 2455 |
| Heaped hopper capacity | l | 3154 |
| Empty weight | Kg | 4490 |
| Transmission | | Hydrostatic |
| ENGINE | | |
| Brand | | DEUTZ |
| Model | | TD 3.6 L4 |
| Power | kW | 55.4 |
| Operating speed | rpm | 2200 |
| Torque | Nm@rpm | 330@1600 |
| No. of cylinders | | 4 |
| Emissions | | Stage IIIB - Tier 4 |
| Noise | dB(A) | 101 |
| Consumption | l/h | 13 |
| CO ₂ | Kg/h | 10,4 |
| DRIVING | | |
| Max. speed | Km/h | 25 |
| Maximum gradient | % | 45 |
| External turning radius | mm | 5900 |
| Traction | | 4x4 |
| Tyres | | 500/60-22,5" (16 PR) |
| HYDRAULIC SYSTEM | | |
| Hydraulic circuit | cc | 25 |
| Working pressure | bar | 180 |
| TANK CAPACITY | | |
| Fuel | l | 69 |
| Hydraulic system | l | 60 |
| BRAKES | | |
| Service | | Sealed brakes with multiple discs in oil. Hydraulic drive |
| Parking | | Sealed brakes with multiple discs in oil. Mechanical drive |

DIMENSIONS



DIMENSIONS (mm)

D 601 AHG

| DIMENSIONS (mm) | D 601 AHG |
|-----------------|-----------|
| A | 2197 |
| B | 2103 |
| C | 2206 |
| E | 1736 |
| F | 3428 |
| G | 370 |
| I | 2490 |
| J | 1340 |
| K | 4910 |
| L | 3634 |
| M | 574 |
| N | 1212 |
| Q | 5413 |
| R | 2232 |
| T | 3256 |
| U | 102 |