



Max Lifting  
Height 16.7m

Working Radius 16.1m



Capacity  
6.0t x 2.6m

Weight  
14400kg

**CC1485**

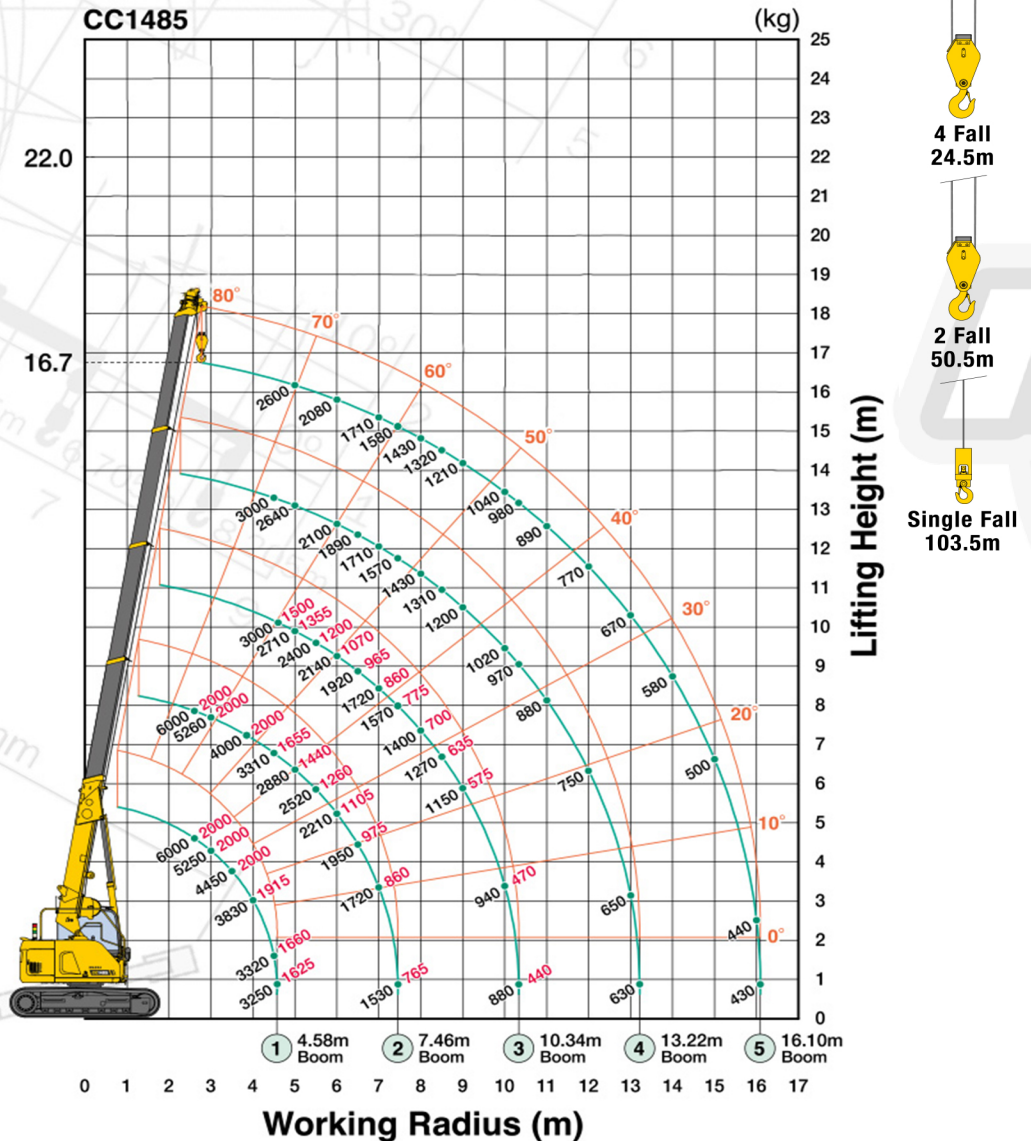
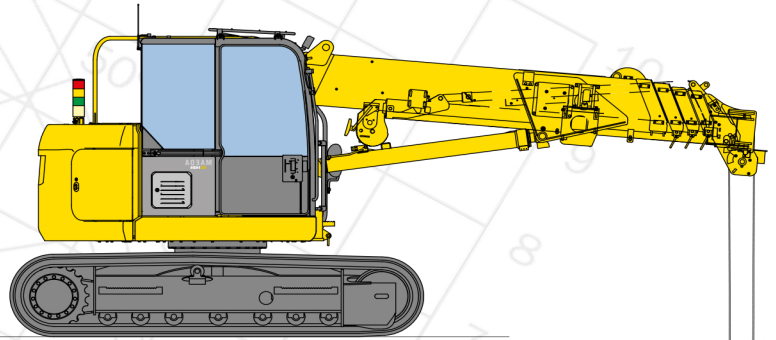


# CC1485

The CC1485 model boasts many market-leading features including a massive 6 ton lifting capacity, 16.3m boom, rear view camera and 7" monitor as standard. No outriggers mean an extremely slim working footprint. In addition this environmentally-friendly machine is equipped with an EU Stage 3B compliant engine making it up to 40% more fuel efficient.

The new Fly Jib attachment sees a move towards a more traditional wrap-around system which is much more user-friendly and easier to operate.

- 6 Ton Max capacity
- 16.7m Max Working Height  
22m with optional Fly Jib
- 2000kg Pick & Carry Duty
- Minimal Tail Swing
- Fully enclosed air-conditioned cab with link slide door
- 7 inch TFT Multi Monitor
- Powerful two speed winch with hydraulic disc brake
- Hydrostatic transmission
- 4 fall/2 fall hook block
- Tilt sensor/alarm
- Automatic heptagonal 5-section boom
- Data Logger
- 2 Year Warranty



This working range chart shows total rated load including boom and jib deflection.



... consider the possibilities

**Total rated load**

| 4.745m boom        |                      | 7.625m boom        |                      | 10.505m boom       |                      | 13.385m boom       |                      | 16.265m boom       |                      |
|--------------------|----------------------|--------------------|----------------------|--------------------|----------------------|--------------------|----------------------|--------------------|----------------------|
| Working radius (m) | Total rated load(kg) | Working radius (m) | Total rated load(kg) | Working radius (m) | Total rated load(kg) | Working radius (m) | Total rated load(kg) | Working radius (m) | Total rated load(kg) |
| 2                  | 6000                 | 2                  | 6000                 | 2                  | 3000                 | 2                  | N/A                  | 2                  | N/A                  |
| 2.5                | 6000                 | 2.5                | 6000                 | 2.5                | 3000                 | 2.5                | 3000                 | 2.5                | N/A                  |
| 2.6                | 6000                 | 2.6                | 6000                 | 2.6                | 3000                 | 2.6                | 3000                 | 2.6                | N/A                  |
| 3                  | 5250                 | 3                  | 5260                 | 3                  | 3000                 | 3                  | 3000                 | 3                  | 2600                 |
| 3.2                | 4910                 | 3.2                | 4920                 | 3.2                | 3000                 | 3.2                | 3000                 | 3.2                | 2600                 |
| 3.5                | 4450                 | 3.5                | 4460                 | 3.5                | 3000                 | 3.5                | 3000                 | 3.5                | 2600                 |
| 3.85               | 4000                 | 3.85               | 4000                 | 3.85               | 3000                 | 3.85               | 3000                 | 3.85               | 2600                 |
| 4                  | 3830                 | 4                  | 3820                 | 4                  | 3000                 | 4                  | 3000                 | 4                  | 2600                 |
| 4.5                | 3320                 | 4.5                | 3310                 | 4.5                | 3000                 | 4.5                | 3000                 | 4.5                | 2600                 |
|                    |                      | 5                  | 2880                 | 5                  | 2710                 | 5                  | 2640                 | 5                  | 2600                 |
|                    |                      | 6                  | 2210                 | 6                  | 2140                 | 6                  | 2100                 | 6                  | 2080                 |
|                    |                      | 7                  | 1720                 | 7                  | 1720                 | 7                  | 1710                 | 7                  | 1710                 |
|                    |                      |                    |                      | 7.5                | 1550                 | 7.5                | 1560                 | 7.5                | 1560                 |
|                    |                      |                    |                      | 8                  | 1400                 | 8                  | 1430                 | 8                  | 1430                 |
|                    |                      |                    |                      | 9                  | 1150                 | 9                  | 1200                 | 9                  | 1210                 |
|                    |                      |                    |                      | 10                 | 940                  | 10                 | 1020                 | 10                 | 1040                 |
|                    |                      |                    |                      |                    |                      | 11                 | 880                  | 11                 | 890                  |
|                    |                      |                    |                      |                    |                      | 12                 | 750                  | 12                 | 770                  |
|                    |                      |                    |                      |                    |                      | 13                 | 650                  | 13                 | 670                  |
|                    |                      |                    |                      |                    |                      |                    |                      | 14                 | 580                  |
|                    |                      |                    |                      |                    |                      |                    |                      | 15                 | 500                  |
|                    |                      |                    |                      |                    |                      |                    |                      | 16                 | 440                  |
|                    |                      |                    |                      |                    |                      |                    |                      | 16.1               | 430                  |

- The Total Rated Load Chart is based on the actual working radius including boom deflection. The weight of the hook block (standard 4 fall/2 fall -90kg) must be included as part of the load shown in the Total Rated Load Chart.

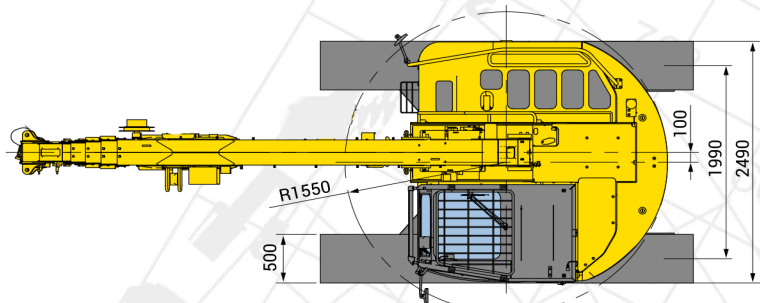
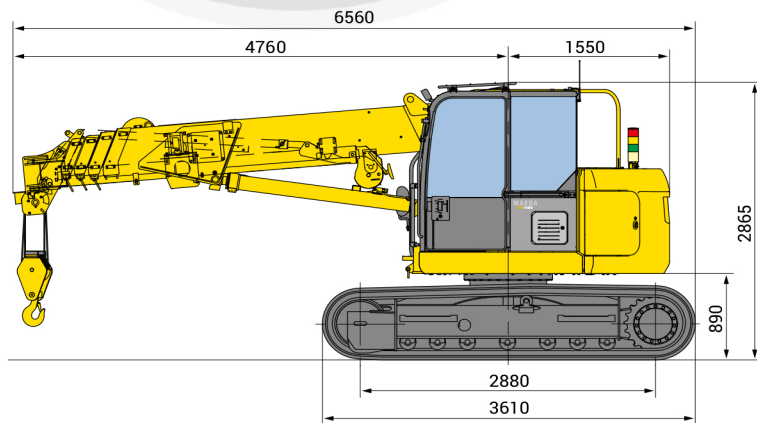
- When using two fall or single fall hooks, use the appropriate four fall Total Rated Load Chart above but with a maximum load of : Two fall-3000kg, Single fall-1500kg.

**Pick & Carry Duties**

| 4.745m boom        |                      | 7.625m boom        |                      | 10.505m boom       |                      |
|--------------------|----------------------|--------------------|----------------------|--------------------|----------------------|
| Working radius (m) | Total rated load(kg) | Working radius (m) | Total rated load(kg) | Working radius (m) | Total rated load(kg) |
| 2                  | 2000                 | 2                  | 2000                 | 2                  | 1500                 |
| 2.5                | 2000                 | 2.5                | 2000                 | 2.5                | 1500                 |
| 2.6                | 2000                 | 2.6                | 2000                 | 2.6                | 1500                 |
| 3                  | 2000                 | 3                  | 2000                 | 3                  | 1500                 |
| 3.2                | 2000                 | 3.2                | 2000                 | 3.2                | 1500                 |
| 3.5                | 2000                 | 3.5                | 2000                 | 3.5                | 1500                 |
| 3.85               | 2000                 | 3.85               | 2000                 | 3.85               | 1500                 |
| 4                  | 1915                 | 4                  | 1910                 | 4                  | 1500                 |
| 4.5                | 1660                 | 4.5                | 1655                 | 4.5                | 1500                 |
|                    |                      | 5                  | 1440                 | 5                  | 1355                 |
|                    |                      | 6                  | 1105                 | 6                  | 1070                 |
|                    |                      | 7                  | 860                  | 7                  | 860                  |
|                    |                      |                    |                      | 7.5                | 775                  |
|                    |                      |                    |                      | 8                  | 700                  |
|                    |                      |                    |                      | 9                  | 575                  |
|                    |                      |                    |                      | 10                 | 470                  |



**Dimensions**





# CC1485

## Specifications

|                     |  |   |
|---------------------|--|---|
| Capacity            | Maximum  | 6.0 t x 2.6m  |
| Working radius      | Maximum  | 16.1m x 430kg   |
| Lifting height      | Maximum  | 16.7m x 2600 kg (22m x 820kg with Fly-Jib)  |
| Dimensions          | CC1485   | 6560mm x 2490mm x 2865mm  |
| Weight              | CC1485<br>Hook block weight  | 14400kg (14700kg with Fly-Jib)<br>90kg  |
| Hook speed          | Maximum  | 32/46 m/min. (4 falls, 4th layer)   |
| Single line speed   | Maximum  | 112/164 m/min. (4th layer)  |
| Hoist rope          | Standard   | IWRC 6xFi (29) Ø 10mm x 115m  |
| Telescopic system   | Boom length<br>Telescoping speed<br>Boom type  | 4.745 m - 16.265 m<br>11.52 m / 33 sec<br>Fully automatic 5 section heptagonal telescopic boom  |
| Boom hoist system   | Hoist angle / speed  | -4° to 80° / 19 sec   |
| Slew system         | Slew angle / speed   | 360° continuous / 1.9 rpm   |
| Drive               | Type   | Independent steering controls, hydraulic piston motor with built-in automatic brake, planet reduction gears, sprocket and crawler.                  |
| Traction speed      | Low<br>High<br>Gradability<br>Ground length x width<br>Ground pressure   | 0 – 1.9 km/h<br>0 – 3.2 km/h<br>20°<br>2880mm x 500mm (Track dimensions)<br>0.49 kgf / cm <sup>2</sup><br>0.51 kgf / cm <sup>2</sup> (with Fly-Jib) |
| Engine              | Model<br>Type<br>Rated output<br>Starting method<br>Fuel tank capacity   | ISUZU 4LE2XDPC<br>4 cylinder diesel, water cooled, direct injection<br>40.3kW / 2000 rpm<br>Electric<br>Diesel/140L                                 |
| Safe load indicator | Made specifically for Maeda Mini Cranes with a fully programmable working envelope   |   |
| Standard equipment  | Moment limiter, steel tracks, overwind protection, hydraulic safety valves, level, EMO switch, LED working status lamp, working light, hour meter, tilt alarm, air conditioning, 4-fall / 2-fall hook block, safety lock lever, rear view camera, data logger. |   |

